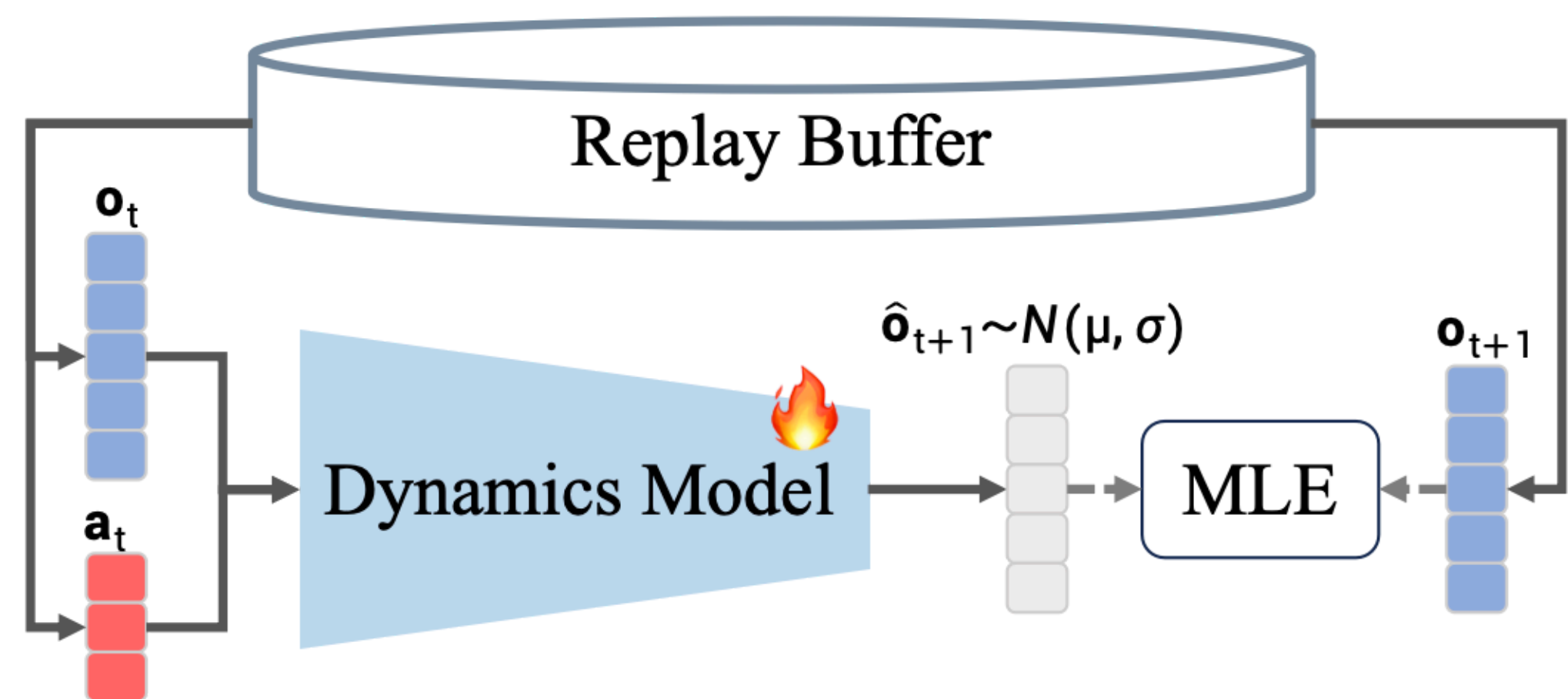
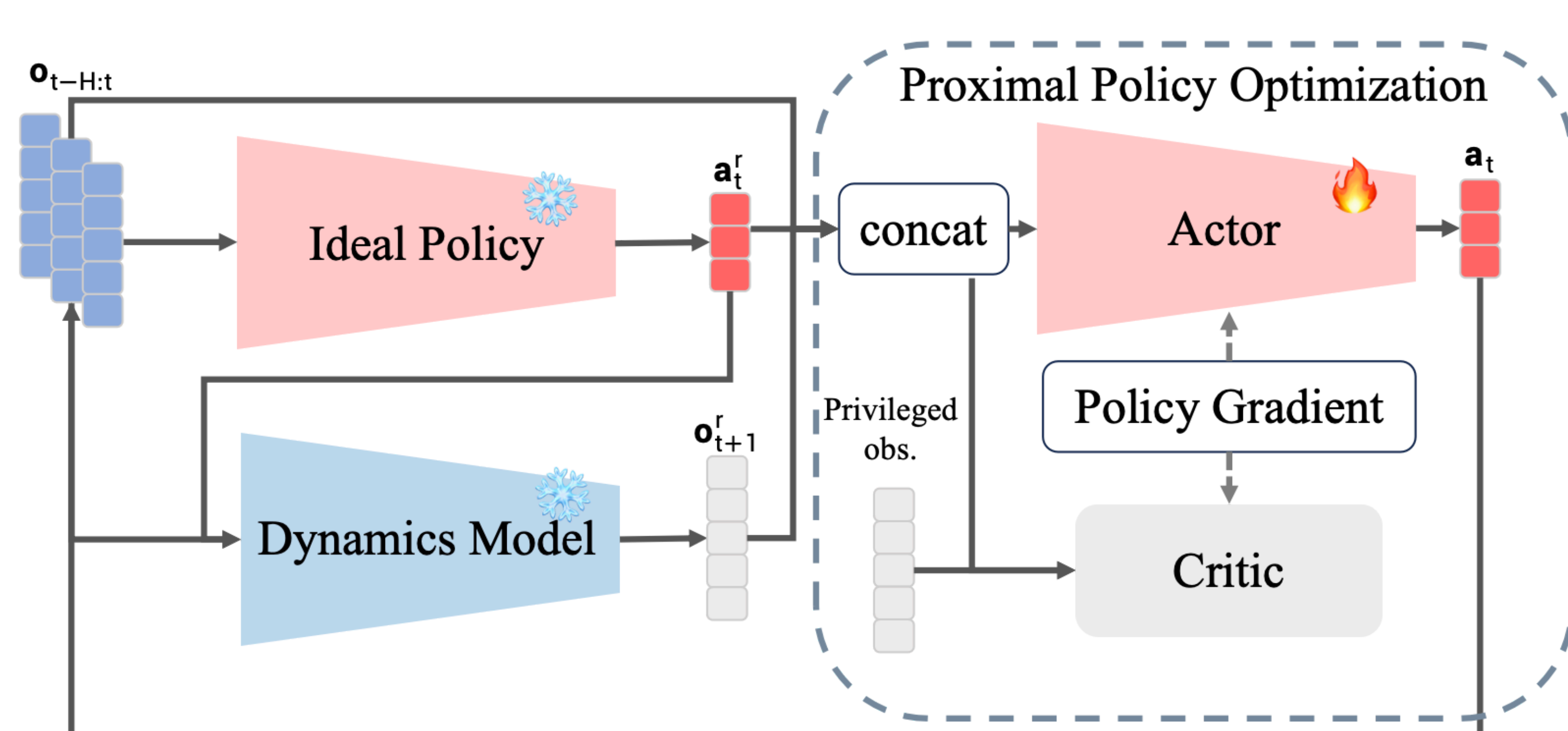


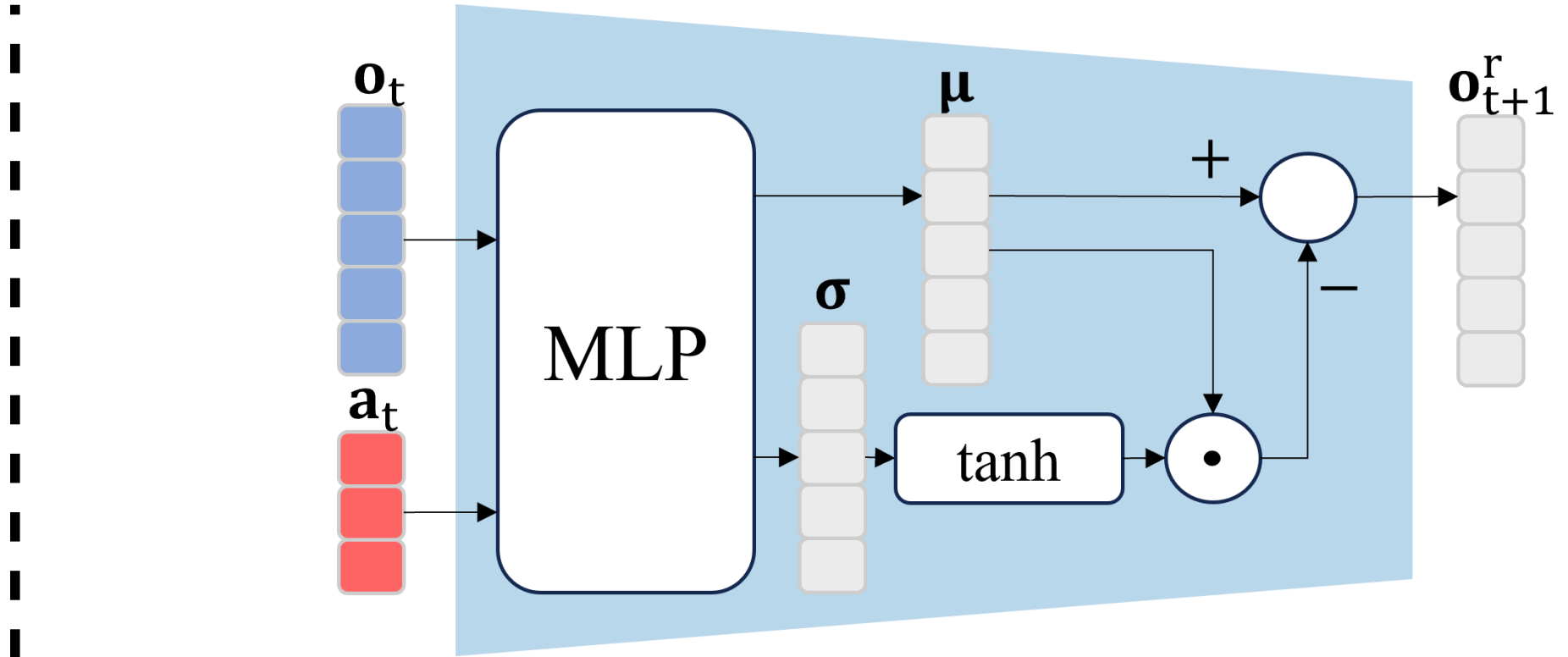
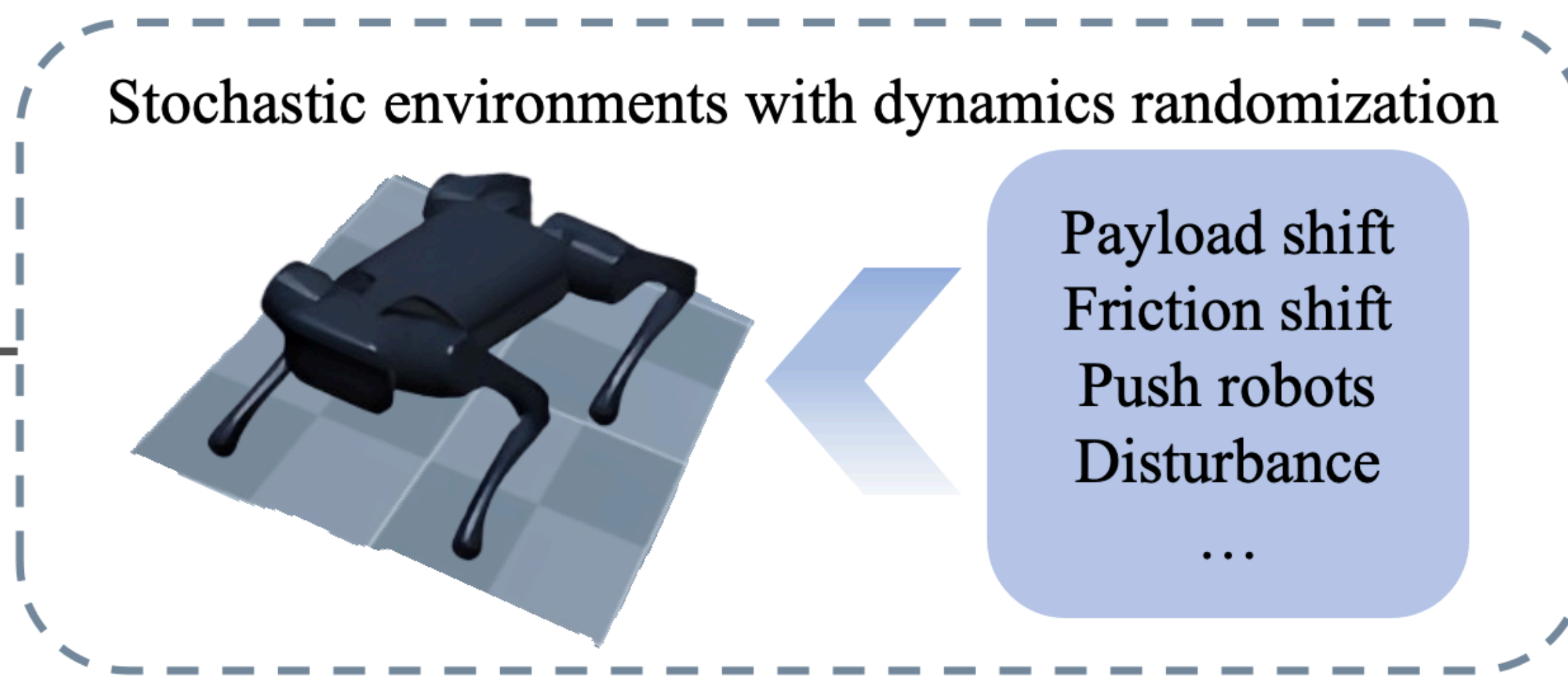
(a) Ideal policy training



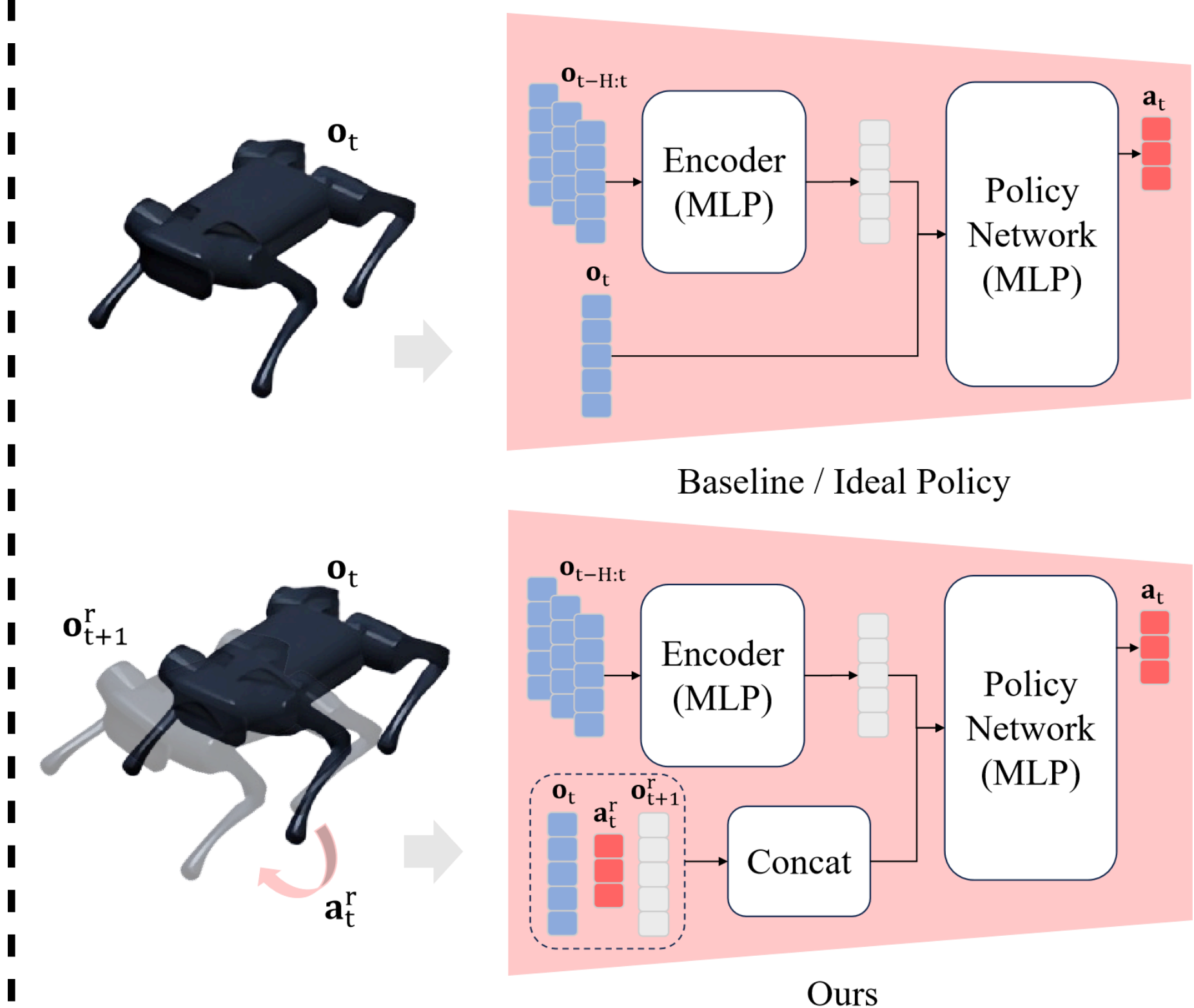
(b) Dynamics model training



(c) Robust policy training with imaged transition



(d) The architecture of dynamics model



(e) The model architecture of actor